

Post Covers



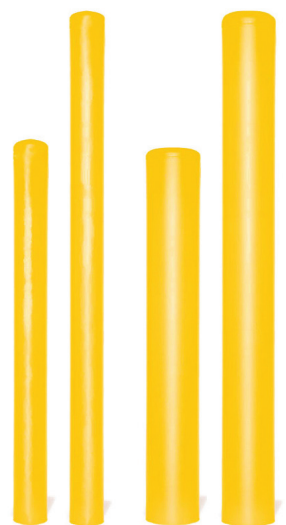
Post & bollard covers keep your bollards looking new!

Cover up those unsightly posts and concrete bollards and eliminate constant repainting. Post Cover is constructed of impact-resistant HDPE. It's designed to cover your posts, while maintaining all the protection of pipe and concrete bollards.

Maintenance-free Eliminate the need for scraping, painting and repainting

Installs quickly No special tools required, just slip over existing steel or concrete bollards

Variety of colors Post covers come in standard yellow but may be custom color matched



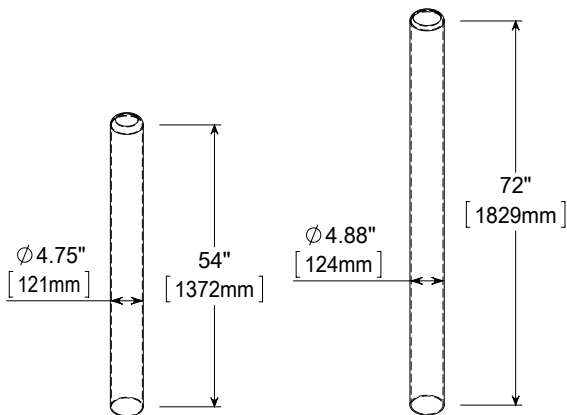
Post Covers



Cover your posts while maintaining all the protection!

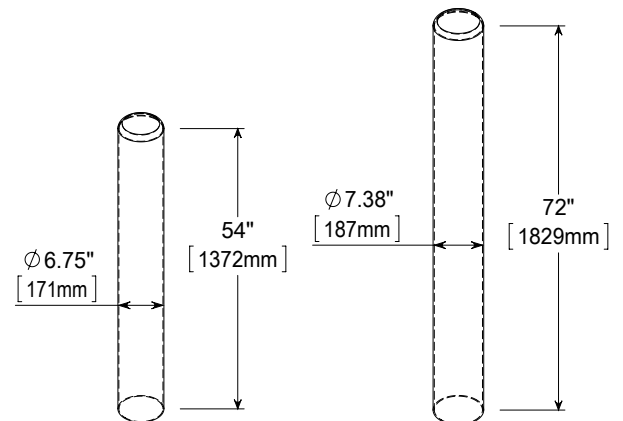
4" Post Covers

For posts with 4.5" outer diameter

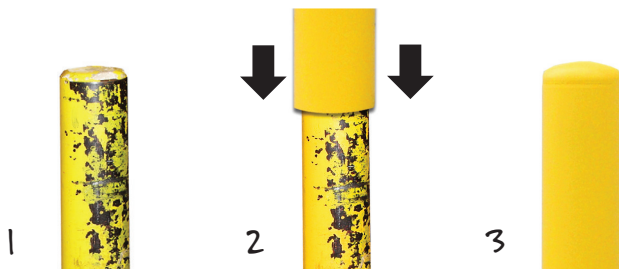


6" Post Covers


For posts with 6.625" outer diameter



Easy Installation



307 Yellow Standard Colors
3 week lead.

 Custom Color Matching
Pre-matched colors ship within 3 weeks. Otherwise allow 6-8 weeks for delivery. Minimums may apply.



McCue Corporation
Peabody, MA 01960, USA
+1 (800) 800 8503
customercare@mccue.com

McCue UK & Europe
Milton Keynes, United Kingdom
+44 (0)1908 365 511
uksales@mccue.com

McCue Asia
迈客(厦门)有限公司
Xiamen, Fujian, China
+86-592-2200790

mccue.com

